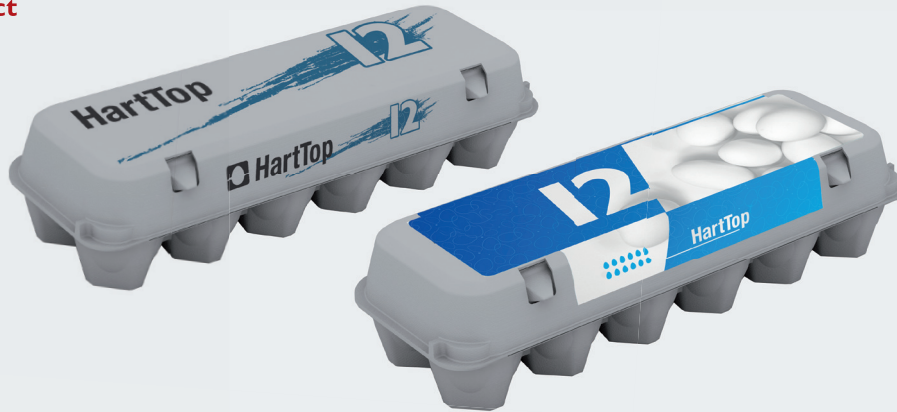
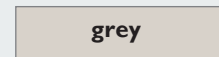


1 x 12 HartTop R85I2

Product

Colors

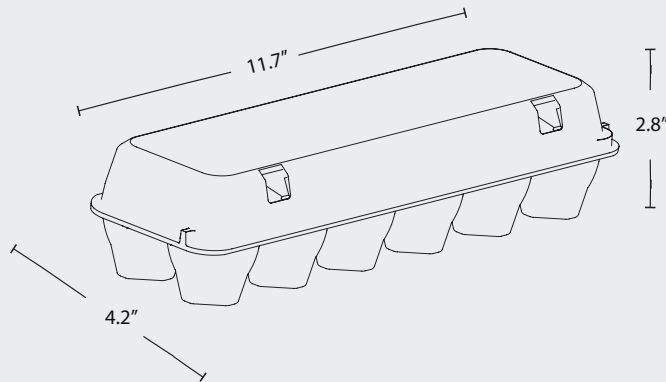
Standard color


Availability

 Direct print
Label

Egg Sizes

Our R85I2 egg cell is constructed for weight classes S, M, L and XL.

Product Dimensions


| | Length | Width (open) | Height (open) | Width (closed) | Height (closed) |
|---------------------------------|--------|--------------|---------------|----------------|-----------------|
| Millimetres-Measurements | 297 | 246 | 71 | 107 | 71 |
| Inches-Measurements | 11.7 | 9.7 | 2.8 | 4.2 | 2.8 |

1 x 12 HartTop R8512

Average Dry Weight

With direct print: 54 g | 1.9 oz With label: 57.2 g | 2 oz

Bundle Specs

| Cartons: 125 | Length | Width | Height | Direct print | | Label | |
|---------------------------------|--------|-------|--------|----------------------|------|----------------------|------|
| Millimetres-Measurements | 1016 | 246 | 297 | Bundle Weight | | Bundle Weight | |
| Inches-Measurements | 40 | 9.7 | 11.7 | (kg) | (lb) | (kg) | (lb) |
| | | | | 6.8 | 14.9 | 7.2 | 15.8 |

Machine Settings

ID-Moba: HA1204

Separator: 802

Denester settings:

| | | | | |
|----|----|---|----|----|
| L | G | J | II | I2 |
| 13 | 23 | 6 | 14 | 36 |

ID-Sanovo (Staalkat): HA-0054

Clamp Plates Assembly: Z332101

Program: 2

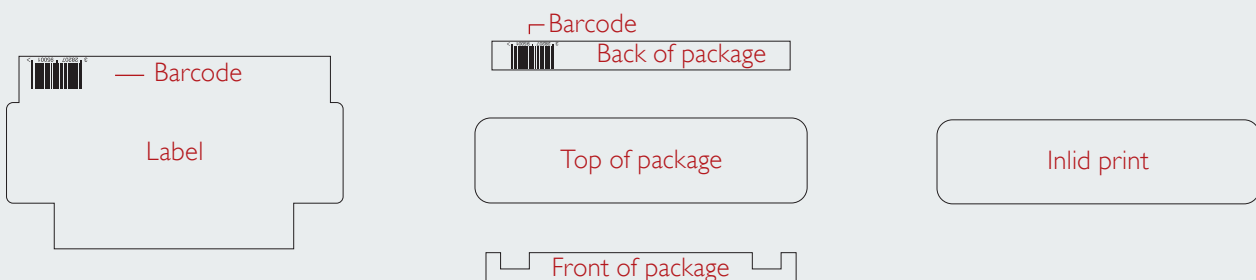
| | | | | |
|----|----|----|----|-----|
| BL | BR | GL | GR | A |
| F | F | 10 | 10 | 20 |
| B | C | K | L | M |
| 44 | J | 66 | 9 | 18L |

Print Parameters

Label: Litho
4 colors (process print),
spot colors on request

Direct Print: Dry Offset
Top - 4 spot colors*
Front & Back - 2 spot colors*
*inks from Hartmann custom Library

Inlid Print: Dry Offset
1 spot color*
*inks from Hartmann custom Library



Dielines for labels and print areas can be downloaded at www.hartmann-packaging.com

Certification (optional)

