

1 x 18 Hybrid R2A18

Product



Colors

Standard color



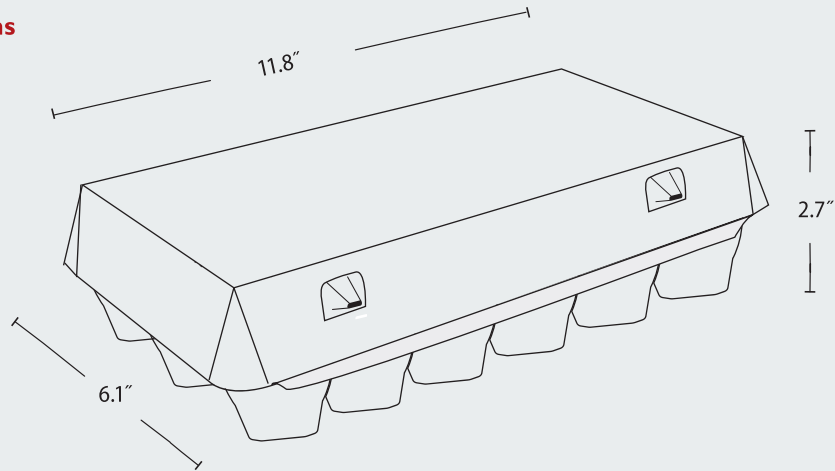
Availability

Grey Base
White Paperboard
Top

Egg Sizes

Our R2A18 egg cell is constructed for weight classes S, M, L and XL.

Product Dimensions



	Length	Width (open)	Height (open)	Width (closed)	Height (closed)
Millimetres-Measurements	300	351	68	154	69
Inches-Measurements	11.8	13.8	2.7	6.1	2.7

I x 18 Hybrid R2A18

Average Dry Weight

With direct print: 89.0 g | 3.14 oz

Bundle Specs

Cartons: 100	Length	Width	Height	Bundle Weight	
Millimetres-Measurements	1041	351	305	(kg)	(lb)
Inches-Measurements	41	13.8	12.0	8.9	19.6

Machine Settings

ID-Moba: HA1804

Separator: 146 (new plate)

Denester settings:

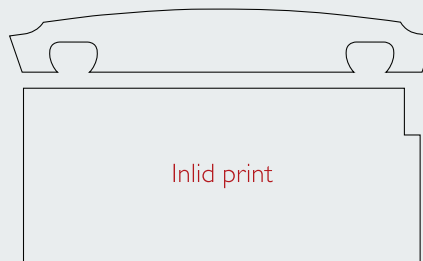
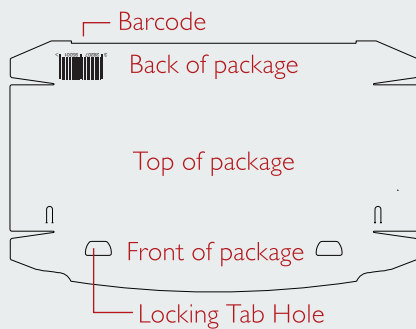
L	G	J	II	I2
35	24	8	14	36

ID-Sanovo (Staalkat): HA-0065

Print Parameters

Label: Litho
4 colors (process print),
spot colors on request

Inlid Print: Litho
4 colors** (process print)
**at limited density



Dielines for labels and print areas can be downloaded at www.hartmann-packaging.com

Certification (optional)

